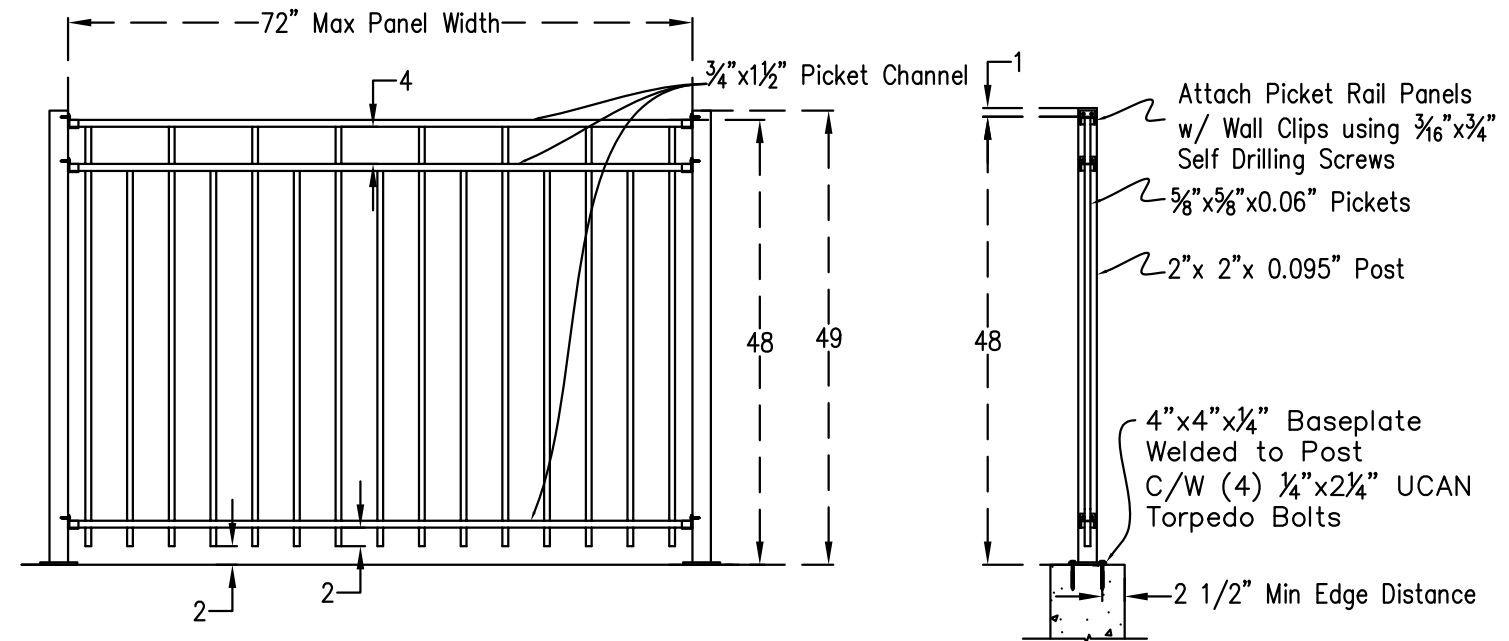
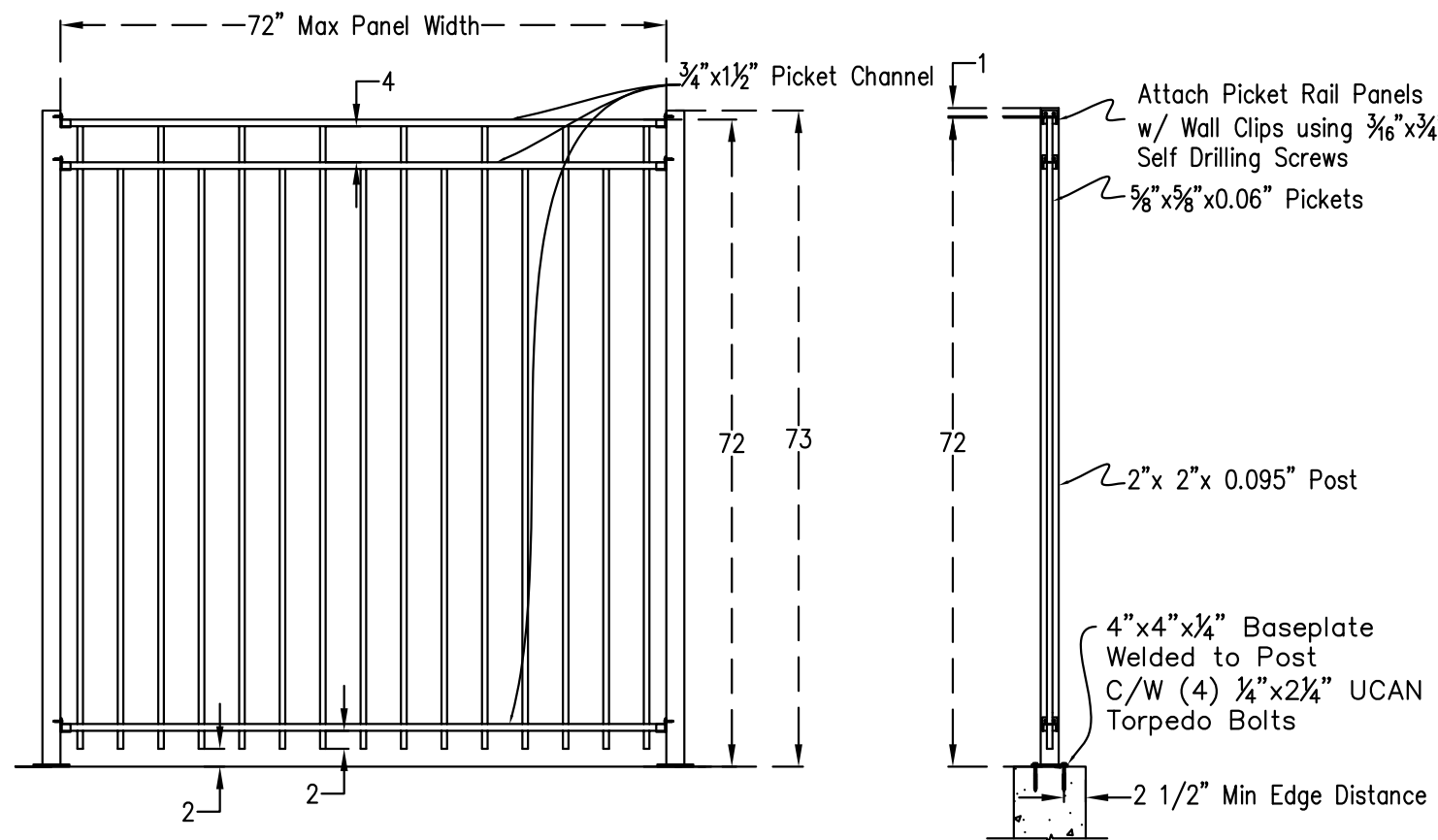


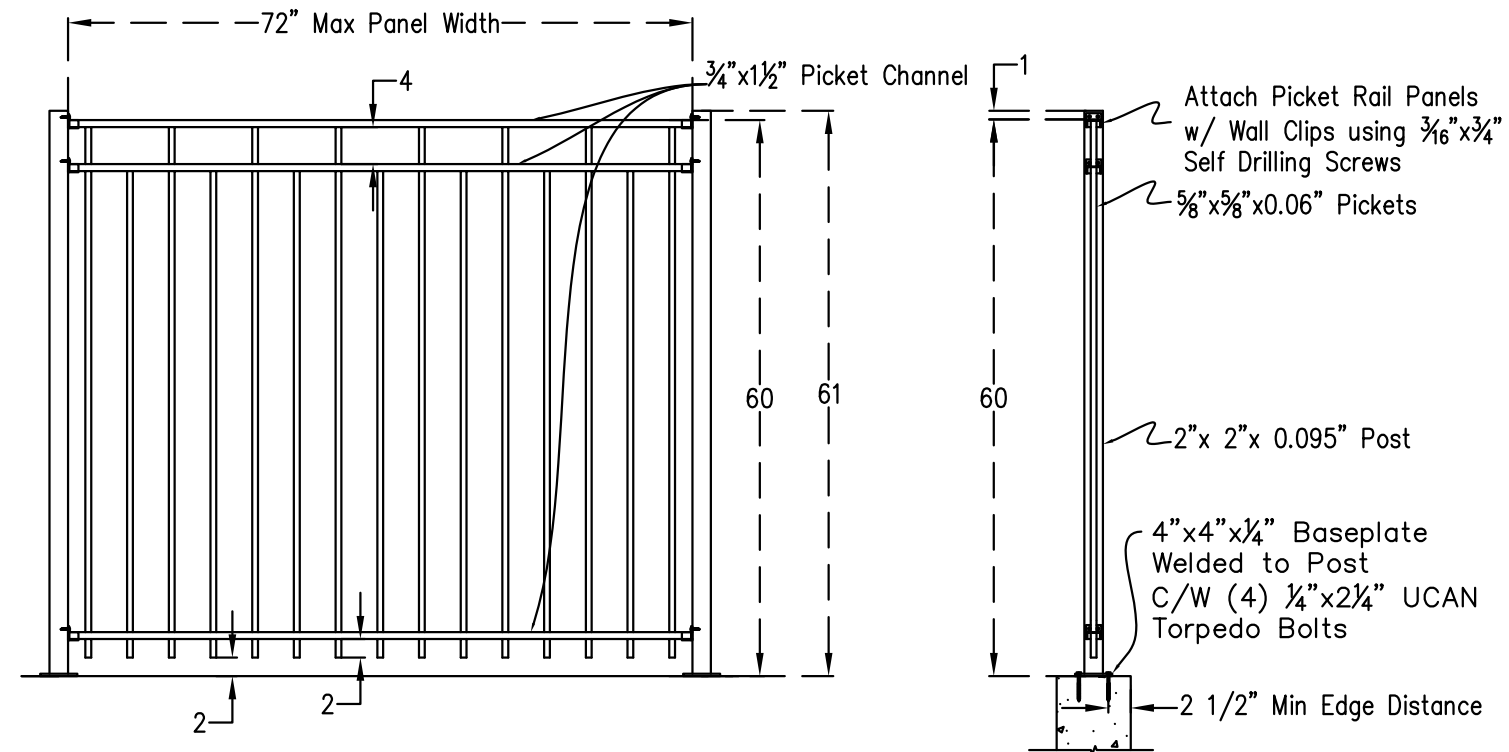
Brooklyn - 42"



Brooklyn - 48"




Brooklyn - 72"



Brooklyn - 60"

Fencing - Brooklyn

 <p>ALUMINUM RAILINGS VINYL DECKING ALUMINUM FENCING 403.995.0361</p>	CLIENT:	Mclean Fencing	
	PROJECT:	PROJECT:	
	DESCRIPTION:	DESCRIPTION:	
	DRAWING #:	DRAWING #:	
	PROJECT #:	PROJECT #:	
	ENGINEER:	ENGINEER:	
	DRAWN BY:	PSA	
	DRAWN DATE:	Feb 08-19	
	SCALE:	SHEET: 1 of 8	REV:
Email: rickmclean@shaw.ca		Fax: (403) 995-0362	